

LED SURFACE MOUNT - LEGACY™ (CRU SM)



US & Int'l. patents pending.

SMARTEC ENERGY SAVING FEATURES

THERMAL CONTROL - LSI drivers feature integral sensor which reduces drive current, when ambient temperatures exceeds rated temperature.

HOUSING - One-piece, die-formed, aluminum housing with powder coated finish. One conduit knockout and four mounting holes.

LEDS - Features an array of select, mid-power, high brightness, high efficiency LED chips; 5300°K color temperature, 70 CRI (nominal).

DRIVE CURRENT - Choice of High Output (HO) or Very High Output (VHO).

OPTICS / DISTRIBUTION - Symmetrical, which directs light through a glass lens to provide a uniform distribution of light to vertical and horizontal surfaces.

OPTICAL UNIT - Features an ultra-slim 3/4" profile die cast housing, with a standard flat glass lens. Unit is water-resistant, sealed to an IP67 rating. Integral designed heat sink does not trap dirt and grime, ensuring cool running performance over the life of the fixture.

PRESSURE STABILIZING VENT - Luminaire assembly incorporates a pressure stabilizing vent breather to prevent seal fatigue and failure.

DRIVER - State-of-the-art driver technology superior energy-efficiency and optimum light output. LSI driver components are fully encased in potting for IP65 moisture resistance. Complies with IEC and FCC standards. Surge protected at 10KV.

ADAPTOR PANEL - Die formed galvanized steel, with powder coat finish.

OPERATING TEMPERATURE - -40°C to 50°C (-40°F to +122°F)

ELECTRICAL - Universal voltage power supply, 120-277 VAC, 50/60 HZ input. LSI drivers feature two-stage surge protection (including separate surge protection built into electronic driver) meets IEEE C62.41.2-2002, Scenario 1, Location Category C.

FINISH - Standard color is white and is finished with LSI's DuraGrip polyester powder coat process. DuraGrip withstands extreme weather changes without cracking or peeling.

INSTALLATION - Pre-assembled optical unit and mounting panel attaches to fixture housing via 4 fasteners. Driver is pre-mounted to back of optical assembly.

SHIPPING WEIGHT - 35 pounds.

EXPECTED LIFE - Minimum 60,000 to 100,000 hours depending upon the ambient temperature of the installation location. See LSI web site for specific guidance.

WARRANTY - Limited 5-year warranty.

LISTING - UL listed to UL 1598, UL 8750 and other U.S. and International safety standards. Suitable for wet locations.

PHOTOMETRICS - Applications layouts are available upon request. Contact LSI Petroleum Lighting or petroleum.apps@lsi-industries.com

LED lighting facts
A Program of the U.S. DOE

Light Output (Lumens)	16997
Watts	148.9
Lumens per Watt (Efficacy)	114
Color Accuracy Color Rendering Index (CRI)	74
Light Color Correlated Color Temperature (CCT)	5037 (Daylight)
Warranty**	Yes

All results, except LED Lumen Maintenance, are according to IESNA LM-79-2008. Approved Method for the Electrical and Photometric Testing of Solid-State Lighting. The U.S. Department of Energy (DOE) verifies product test data and results.

** See www.lightingfacts.com/products for details.

Registration Number: KGGN-3VMM1D (7/19/2013)
Model Number: CRU DA SC LED HO CW UE
Type: Canopy light

This product, or selected versions of this product, meet the standards listed below.

Please consult factory for your specific requirements.



LED SURFACE MOUNT - LEGACY™ (CRU SM)

LUMINAIRE ORDERING INFORMATION

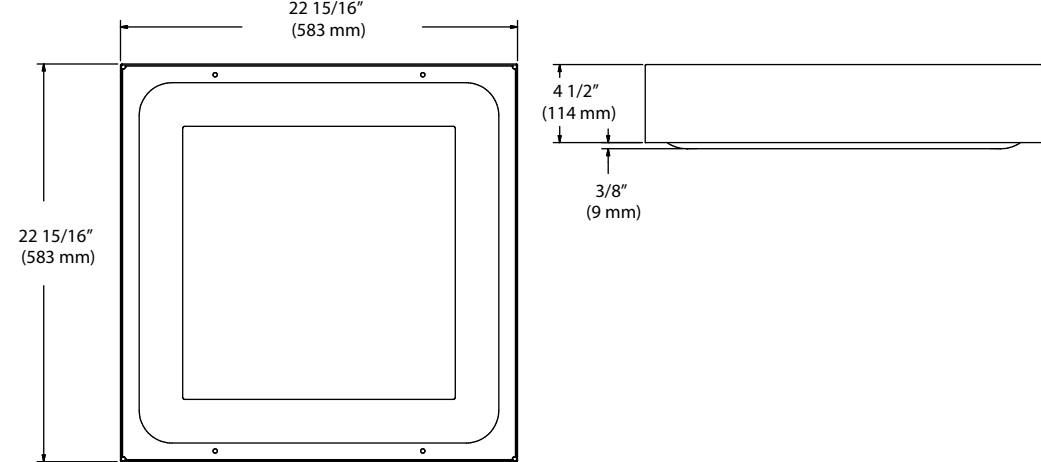
TYPICAL ORDER EXAMPLE: **CRU SM SC LED HO CW UE WHT**

Prefix	Distribution	Light Source	Drive Current	Color Temperature	Input Voltage	Finish	Options
CRU SM (Surface Mount)	SC - Standard Symmetric	LED	HO - High Output VHO - Very High Output	CW - Cool White	UE - Universal Voltage (120-277V) 347-347 Volt	WHT - White BRZ - Bronze BLK - Black	None

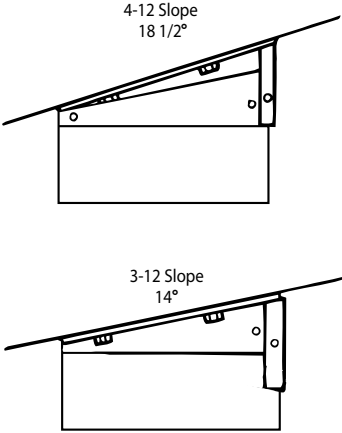
FOOTNOTES:
1- 347V only available in HO drive current.

ACCESSORY ORDERING INFORMATION	
Description	Order Number
SSA Slope Surface Adaptor	52152 CLR
2x2 Shallow Housing Only	545376
10' Toggle Cable Hanger	TCH10

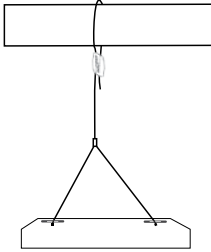
DIMENSIONS



SLOPE SURFACE ADAPTOR – SSA ACCESSORY



TOGGLE CABLE HANGER



LIGHT OUTPUT - CRUK SM				
		Lumens	Watts	LPW
Cool White	HO - High Output	19,630	150	131
	VHO - Very High Output	23,523	196	120